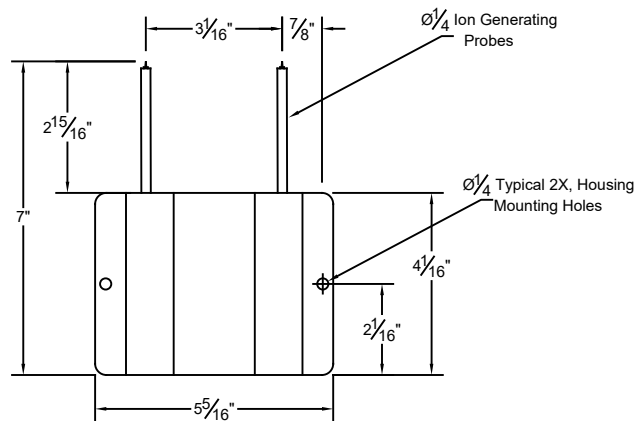
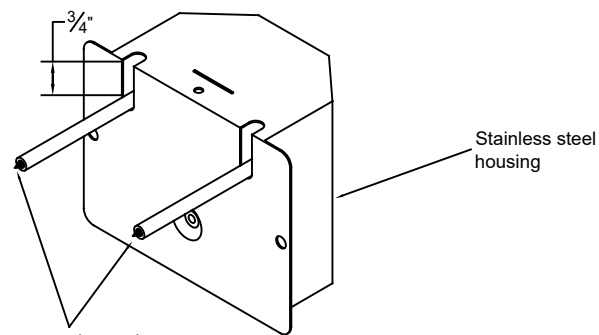
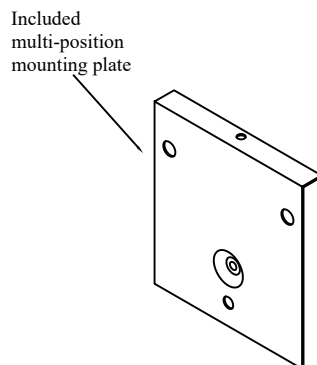
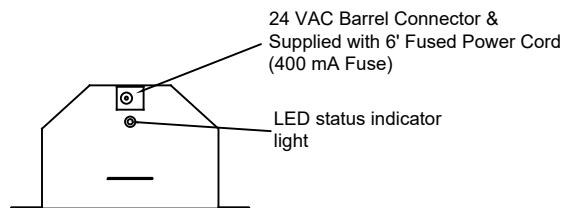
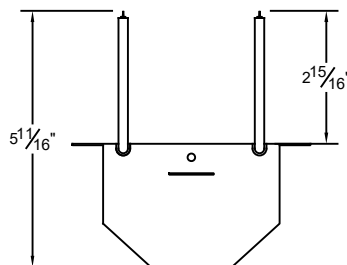
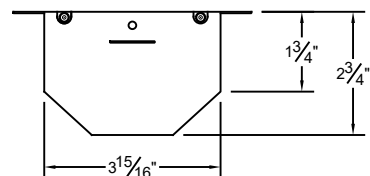
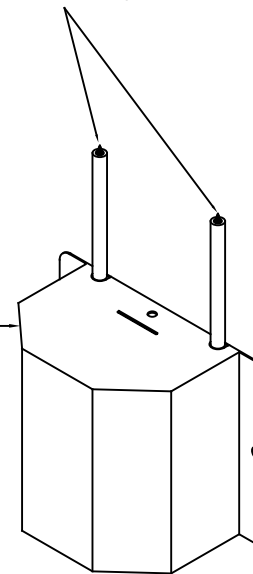


Specifications

Input Voltage: 24 VAC (Supplied with Multi-tap Transformer)
Power Consumption: 6 Va
Total Ion Output: > 320 Million +/- Ions/cc
Needle Point Count: 2 Total, 1 Positive / 1 Negative



22 Gauge Galvanized Steel housing (-SS for stainless steel option)



Ultravation, Inc.

212 Ideal Way
 Poultney, Vermont 05764
 Ph: 802-287-9735
 Fx: 802-287-9203
 www.Ultravation.com

Part #: CIS6	Drawing #: UVM-CIS6-DSS	Rev -*
--------------	-------------------------	--------

Description: UVMMatrix CIS 6 with 2 needle point bipolar ionization system. 24 VAC with a supplied multi-tap transformer. Internal or External mounting for systems 3 to 6 ton.

Date: 5/15/20	Scale: NTS	Creator: JSM
---------------	------------	--------------