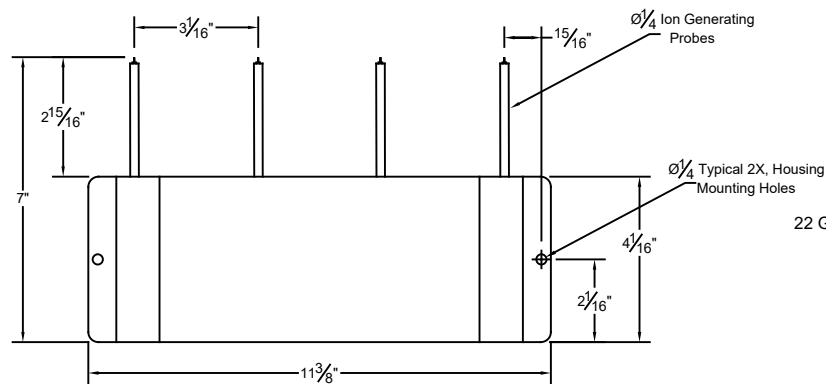
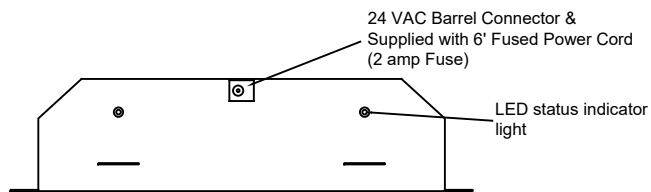
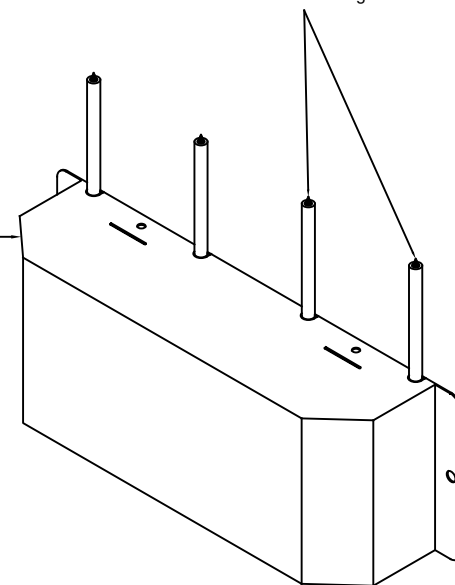
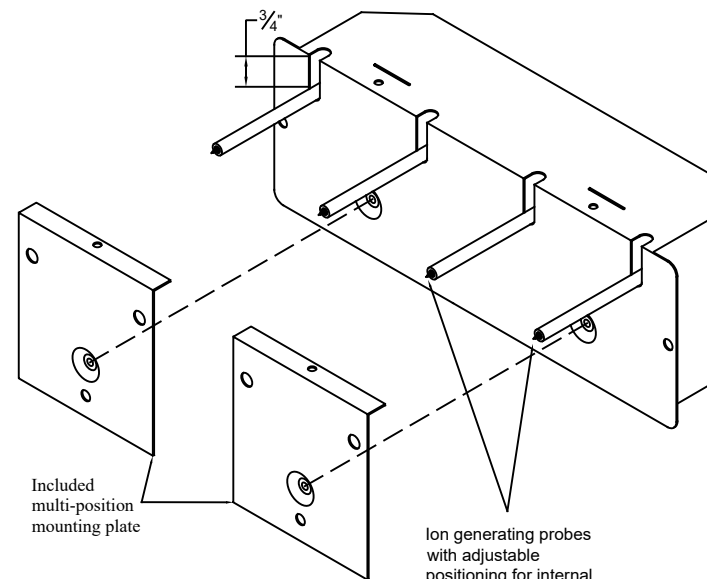
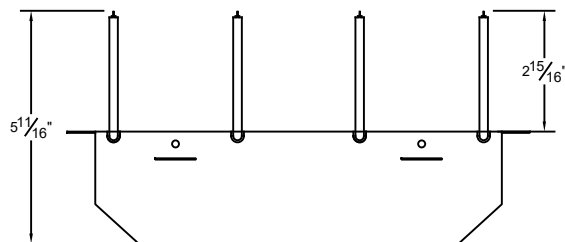
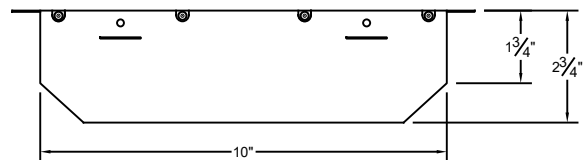


# Specifications

Input Voltage: 24 VAC (Supplied with Multi-tap Transformer)
Power Consumption: 12 Va
Total Ion Output: > 640 Million +/- Ions/cc
Needle Point Count: 4 Total, 2 Positive / 2 Negative



22 Gauge Galvanized Steel housing (-SS for stainless steel option)



## Ultravation, Inc.

212 Ideal Way  
 Poultney, Vermont 05764  
 Ph: 802-287-9735  
 Fx: 802-287-9203  
 www.Ultravation.com

Part #: CIS12	Drawing #: UVM-CIS12-DSS	Rev -*
---------------	--------------------------	--------

Description: UVMMatrix CIS 12 with 4 needle point bipolar ionization system. 24 VAC with a supplied multi-tap transformer, Internal or External mounting for systems 6 to 12 ton.

Date: 2/12/21	Scale: NTS	Creator: JSM
---------------	------------	--------------