

UV Matrix CIS

COMMERCIAL IONIZATION SERIES

The UV Matrix CIS system is a perfect add on air ionization system for HVAC systems.

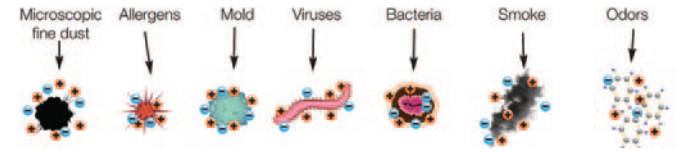
Applications:

- Nursing homes
- Animal facilities
- Cruise ships
- Manufacturing
- Doctors office
- Public spaces
- Schools
- Law enforcement
- Infectious disease wards
- Nail salons
- Smoking parlors
- Food service

Technical Data

Capacity	30-36 tons
Operating Voltage	24,120,208, 240,277 VAC 50/60 Hz.
Power Consumption	36 VA
Total ION Ouput	>1.92 Billion ions/ cc
Material	Aluminum / Carbon, probes.
Temp Range	-30-180 deg. F
Humidity Range	0-100% RH
Width	3 inches
Height	3 inches
length	49 inches
Probe length(x4)	3 inches
Product weight	7 Lbs.

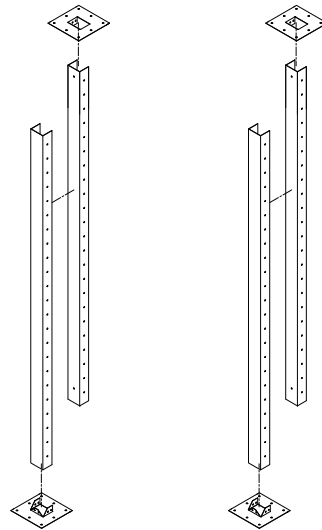
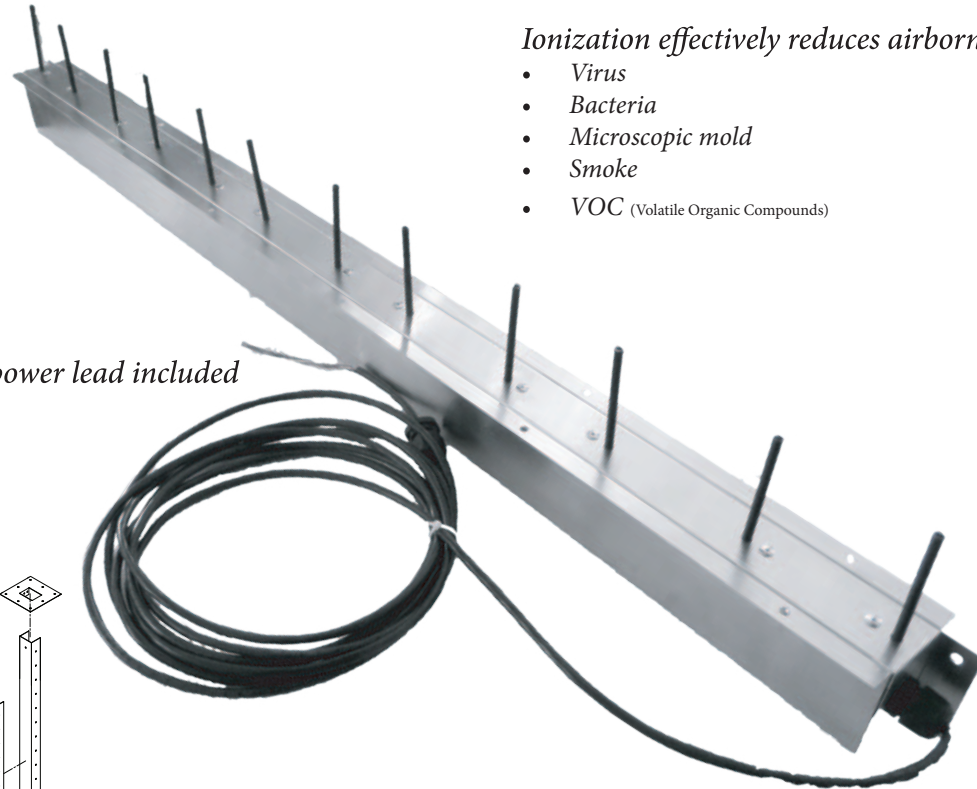
Use separately or combine for larger systems



Ionization effectively reduces airborne

- Virus
- Bacteria
- Microscopic mold
- Smoke
- VOC (Volatile Organic Compounds)

Cut to fit 20 foot power lead included



Optional VXP compatible for ease of installation



Product Sales Specification Sheet

Part Number	Description
UVMATRIX-CIS36	Air Ionization system 30-36 tons 24-277 VAC operation, 24 VAC transformer included.
-BIC option	Dry contacts for connection to Building automation
-SS option	For Housing to be manufactured out of 304 Stainless Steel
VXP-120	Vertical expansion post mounting system minimum of 2 required

