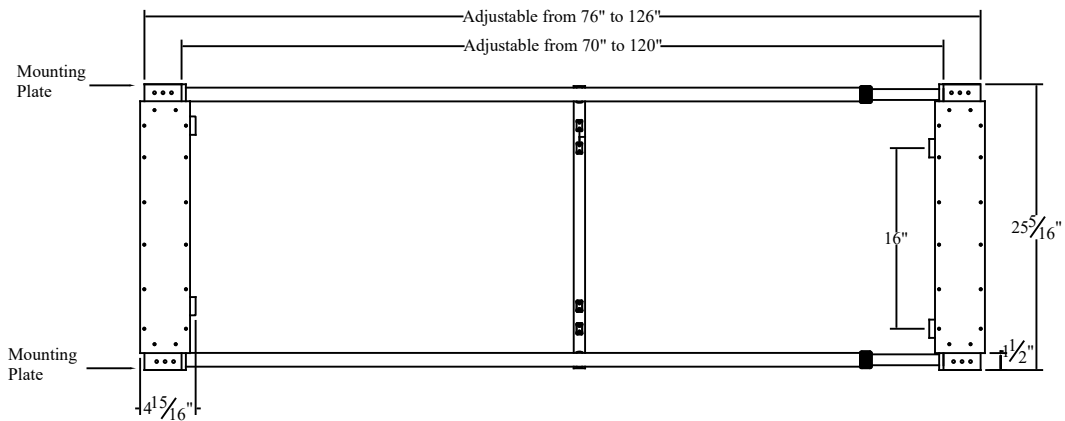
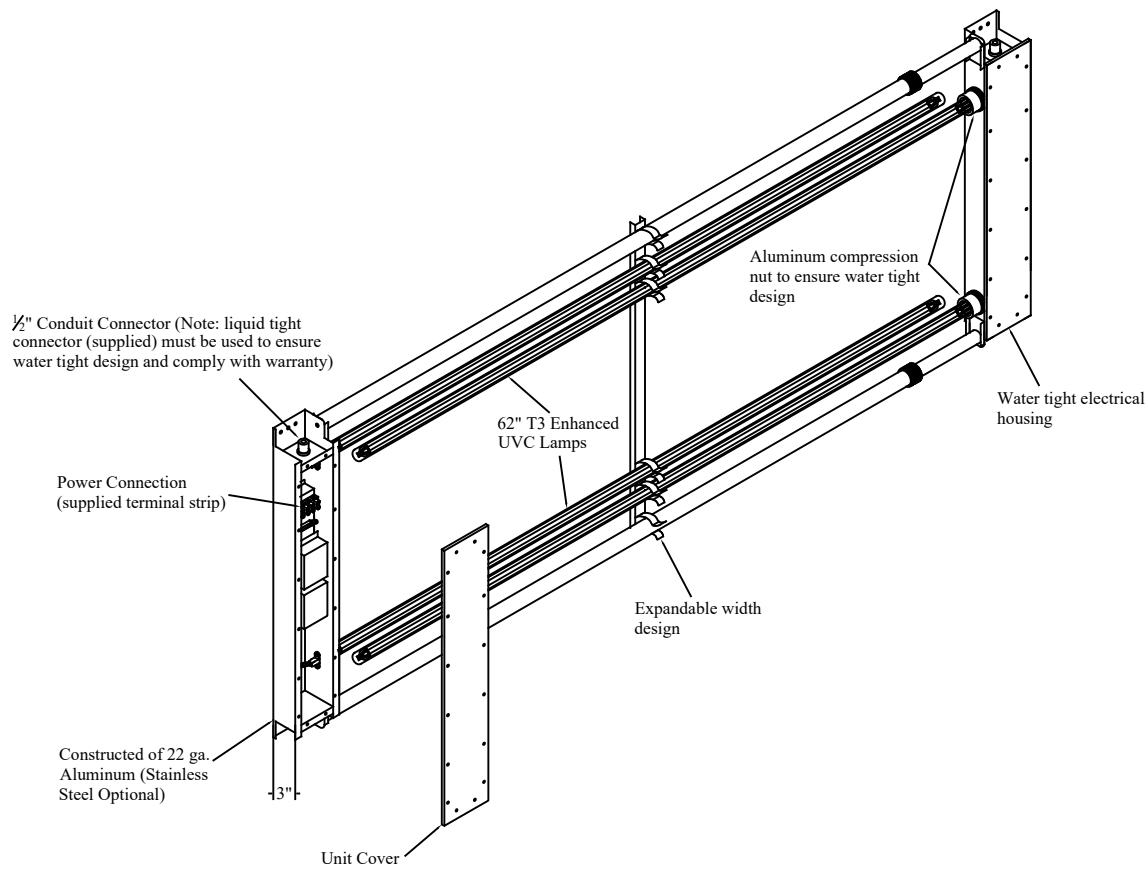


# Specifications

Material: 22 ga. Domestic Aluminum (22 ga. Stainless Steel available)
Lamps: 4- 62" UVC lamps (Quartz sleeve for max thermal optimization)
Power Supply: 120-277v Outdoor Rated Electronic power supply
Power Consumption: 300 Watts
Electrical Housing: Water Tight Design
<b>Note: Mounting hardware supplied</b>



## Ultravation, Inc.

212 Ideal Way  
 Poultney, Vermont 05764  
 Ph: 802-287-9735  
 Fx: 802-287-9203  
[www.Ultravation.com](http://www.Ultravation.com)

Part #: UVMMatrix SI-4/G64-16	Drawing #: SI4-6416-DSS	Rev -*
-------------------------------	-------------------------	--------

Description: UVMMatrix SI with 4 62" UVC lamps. Spaced 16" apart. Expandable width design. Water tight electrical housing. Power supply is auto sensing 120-277VAC

Date: 1/19/09	Scale:	Creator: JSM
---------------	--------	--------------