

Specifications

Material: 22 ga. Domestic Aluminum (22 ga. Stainless Steel available)

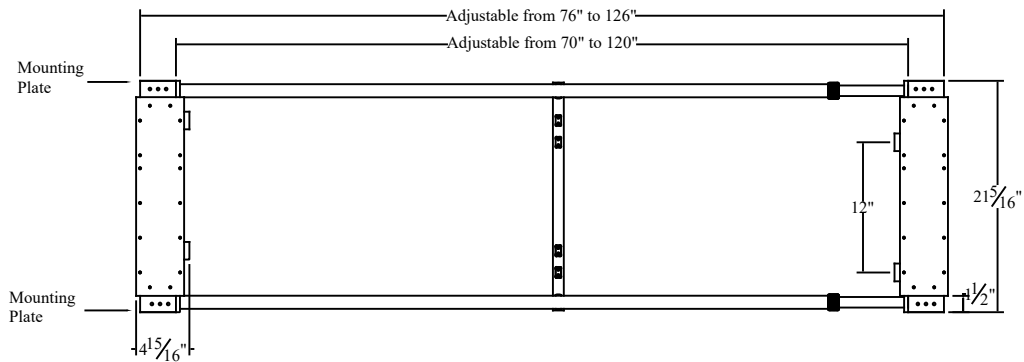
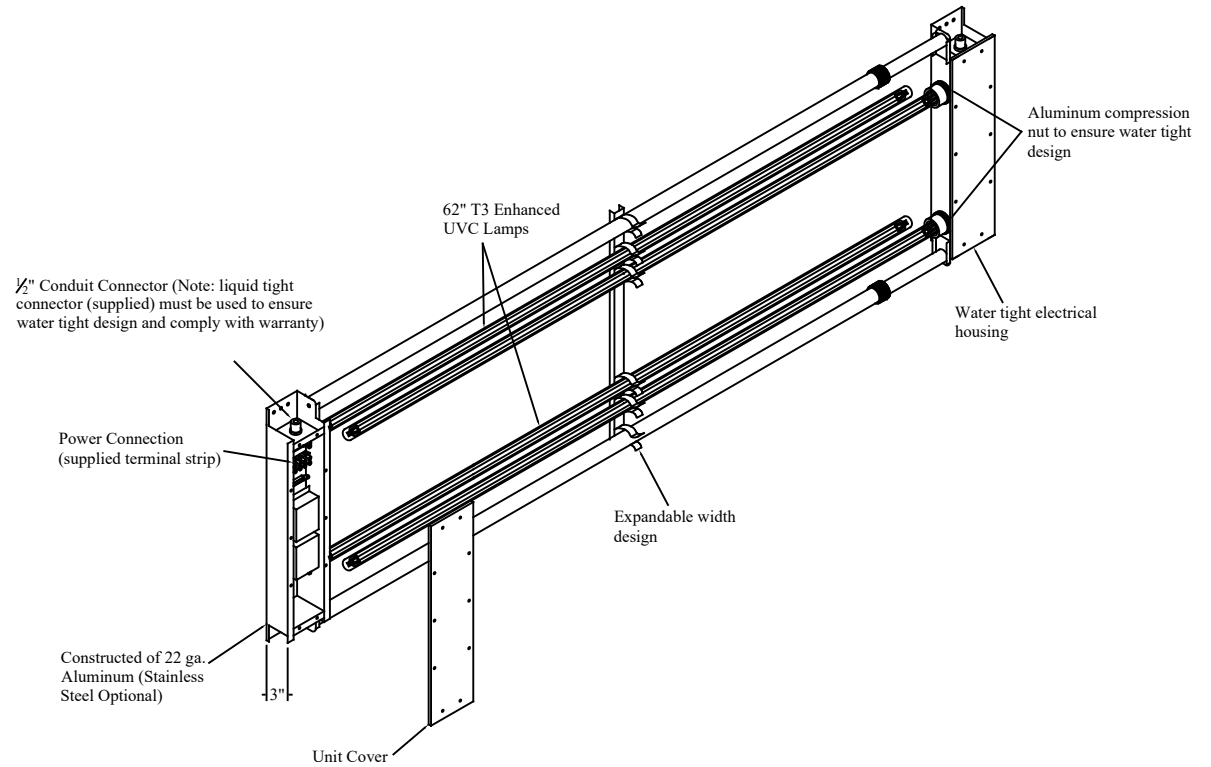
Lamps: 4- 62" UVC lamps (Quartz sleeve for max thermal optimization)

Power Supply: 120-277v Outdoor Rated Electronic power supply

Power Consumption: 300 Watts

Electrical Housing: Water Tight Design

Note: Mounting hardware supplied



Ultravation, Inc.

212 Ideal Way
 Poultney, Vermont 05764
 Ph: 802-287-9735
 Fx: 802-287-9203
 www.Ultravation.com

Part #: UVMatrix SI-4/G64-12 | Drawing #: SI4-6412-DSS | Rev -*

Description: UVMatrix SI with 4 62" UVC lamps. Spaced 12" apart. Expandable width design. Water tight electrical housing. Power supply is auto sensing 120-277VAC

Date: 1/19/09

Scale:

Creator: JSM