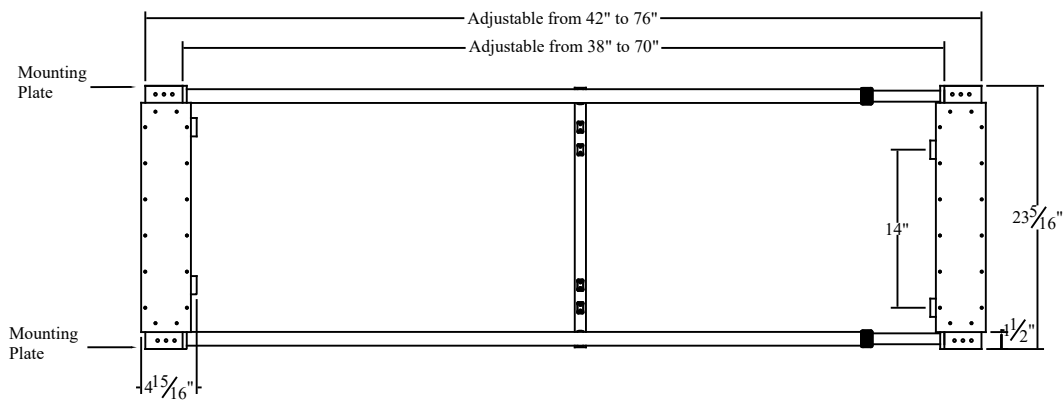
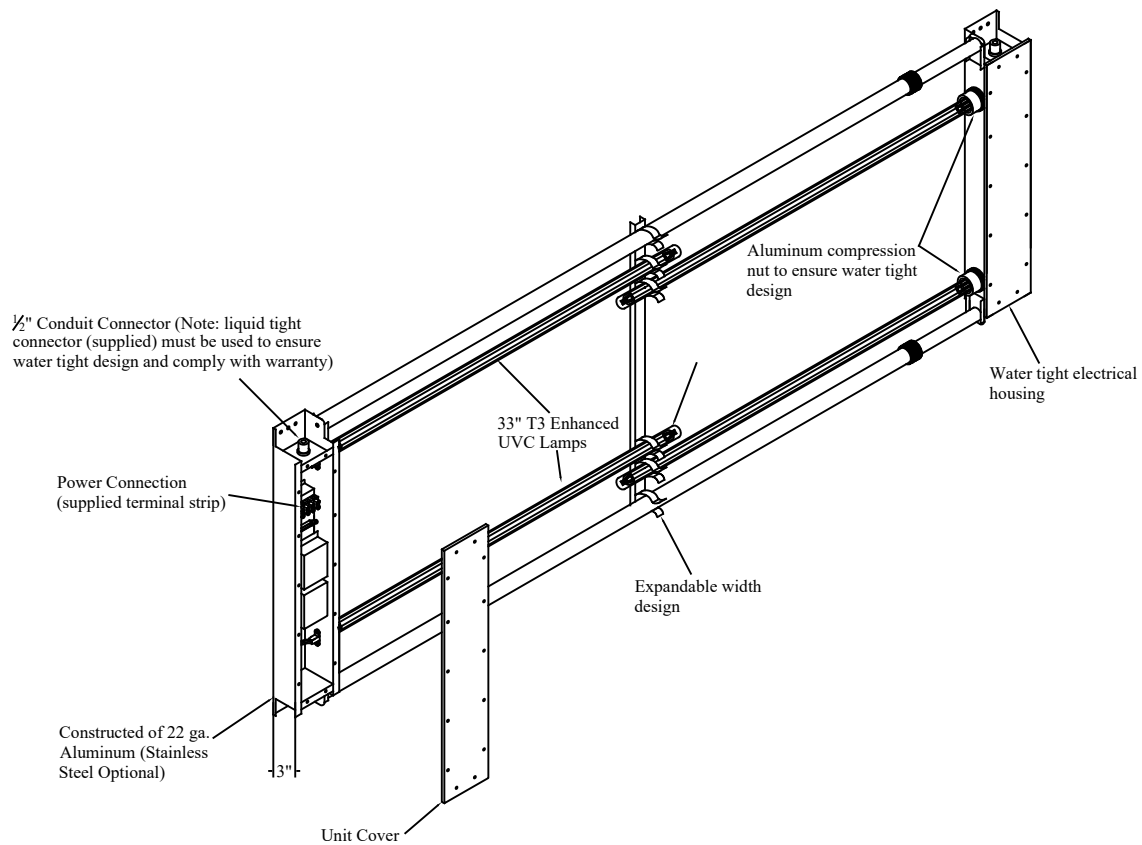


Specifications

Material: 22 ga. Domestic Aluminum (22 ga. Stainless Steel available)
Lamps: 4- 33" UVC lamps (Quartz sleeve for max thermal optimization)
Power Supply: 120-277v Outdoor Rated Electronic power supply
Power Consumption: 144 Watts
Electrical Housing: Water Tight Design
Note: Mounting hardware supplied



Ultravation, Inc.

212 Ideal Way
 Poultney, Vermont 05764
 Ph: 802-287-9735
 Fx: 802-287-9203
www.Ultravation.com

Part #: UVMMatrix SI-4/G36-14 Drawing #: SI4-3614-DSS Rev -*

Description: UVMMatrix SI with 4 33" UVC lamps. Spaced 14" apart. Expandable width design. Water tight electrical housing. Power supply is auto sensing 120-277VAC

Date: 1/19/09

Scale:

Creator: JSM