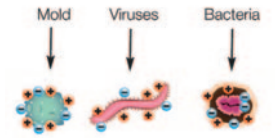


# UV MatrixLCI

LIGHT COMMERCIAL INDUSTRIAL SERIES

Powers 33 inch 48 inch and 64 inch T3® UVC Germicidal lamps.



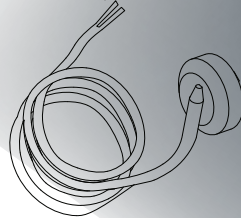
The LCI series is designed for applications large and small. Offering extreme flexibility in both installation and features!

Use multiple enclosures for larger coils!

**Applications:**

- Nursing homes
- Animal facilities
- Cruise ships
- Manufacturing
- Doctors office
- Public spaces
- Schools
- Law enforcement
- Infectious disease wards
- Nail salons
- Smoking parlors
- Food service

One lamp lead supplied per lamp with enclosure



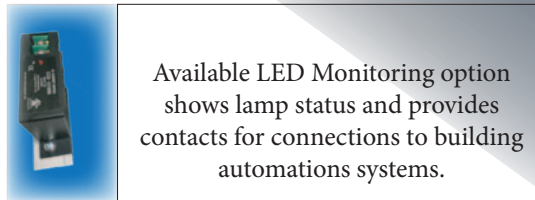
Available in 2, 4 and 6 lamp configurations!



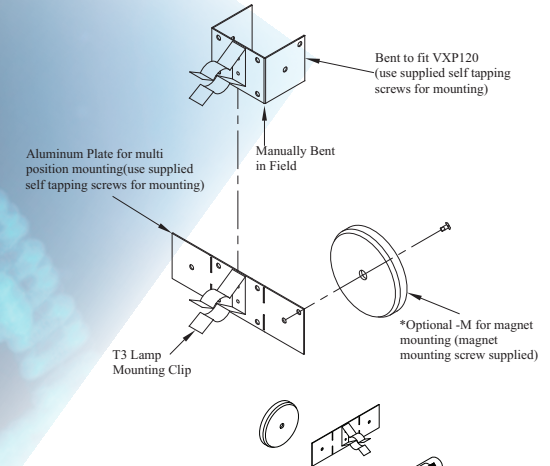
Customize cable runs for a fast and efficient install. Accessible connections with electronic Smart Power Supplies.

**Technical Data**

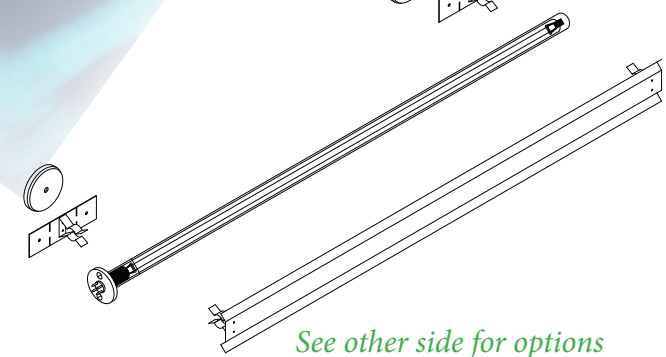
|                         |                                  |
|-------------------------|----------------------------------|
| Capacity                | 2-6 lamps                        |
| Operating Voltage       | 120-277 VAC<br>50/60 Hz.         |
| Power Consumption       | .625 Amp Max@120 VAC<br>Per lamp |
| Material                | PVC<br>NEMA rated                |
| Temp Range              | -30-180 deg. F                   |
| Humidity Range          | 0-100% RH                        |
| Width                   | 10 inches                        |
| Height                  | 12 inches                        |
| Depth                   | 6 inches                         |
| Product weight          | Max 13 lbs<br>Varies per lamp(s) |
| Warranty                | 5 years                          |
| Enclosure certification | UL , CUL                         |



Available LED Monitoring option shows lamp status and provides contacts for connections to building automations systems.



- Includes:**
- NEMA rated electrical enclosure
  - 20 foot lamp leads
  - T3MC mounting clip hardware (magnet optional)



See other side for options



DC162021LCI1

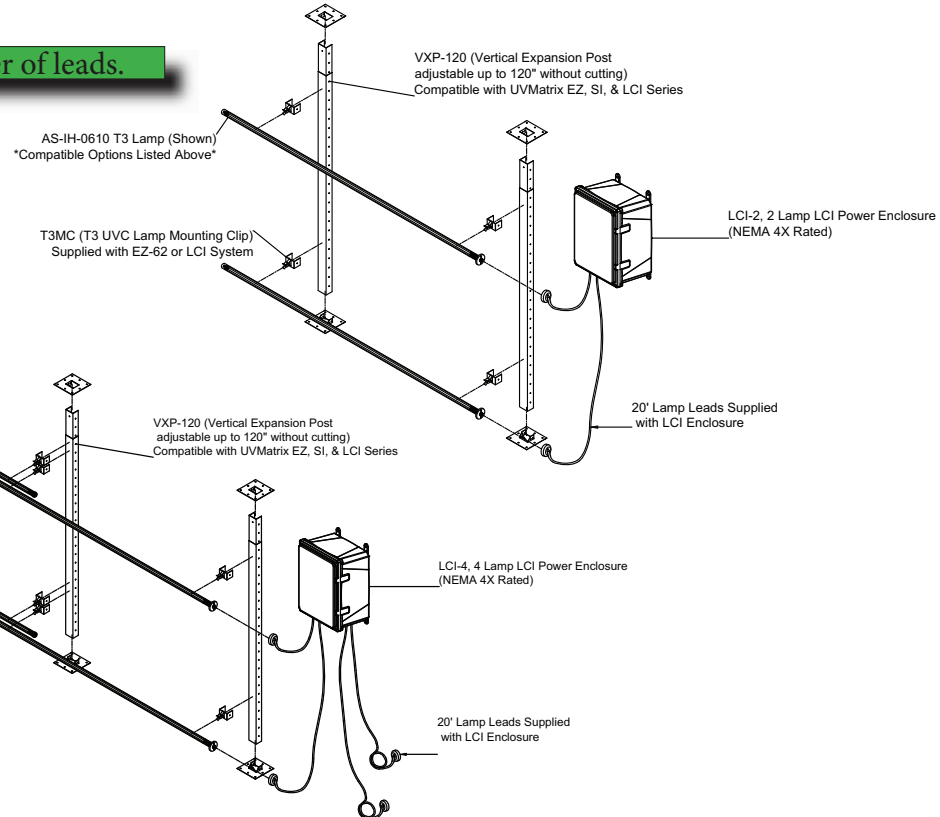
866-468-8247 ULTRAVATION.COM Sales@ultravation.com

Product Sales Specification Sheet

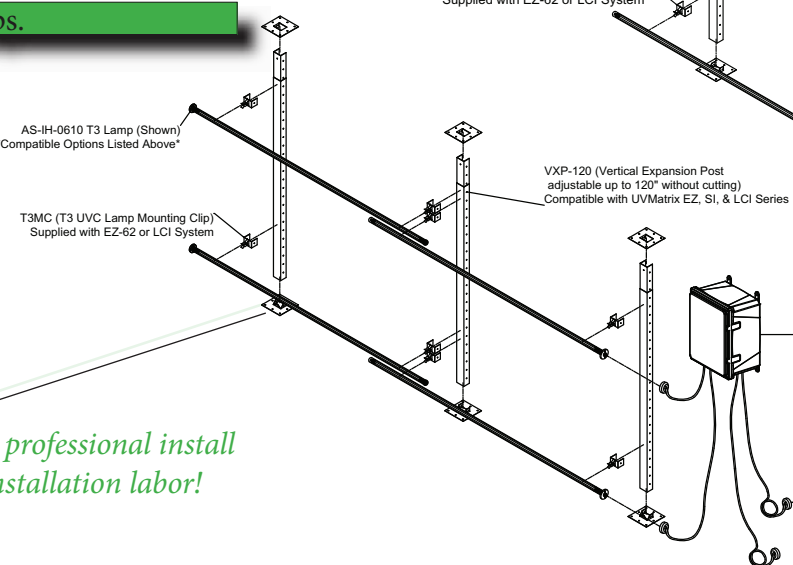
**Ultravation**  
Better Air | Better Water | Better Living™

*Flexible design allows for different size lamps to be powered by the same enclosure. This ensures proper coil coverage.*

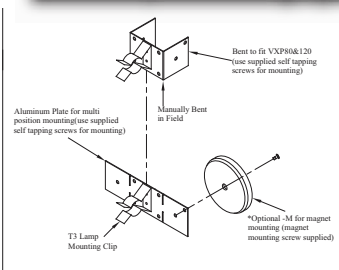
**1 Choose the enclosure and number of leads.**



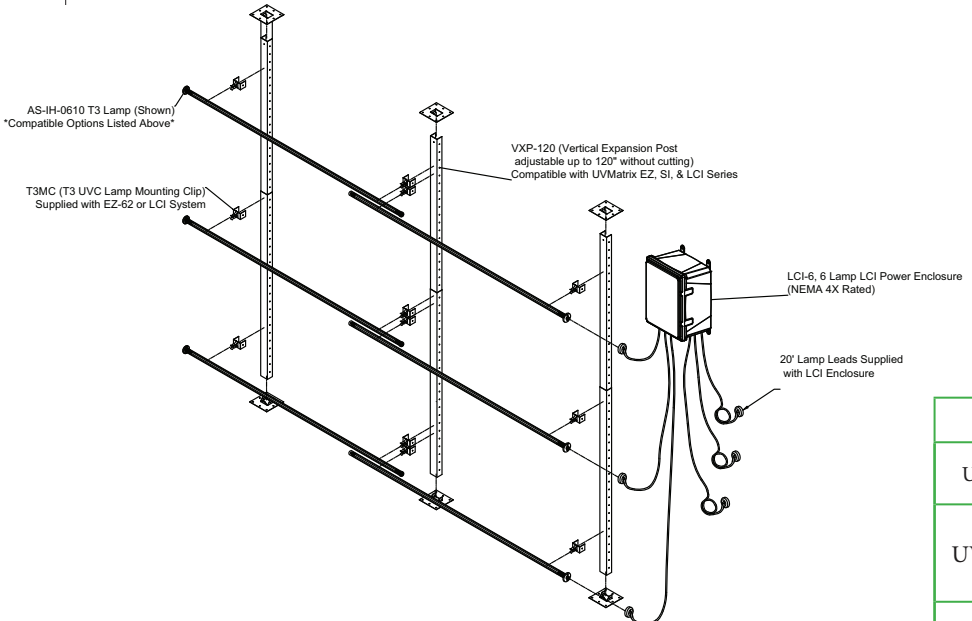
**2 Select the proper sized lamps.**



**3 Add any mounting options**



*VXP Optional racking creates a professional install while reducing installation labor!*



| Part Number | Description  |
|-------------|--|
| AS-IH-0611  | 33" T3 UVC Lamp  |
| AS-IH-0612  | 48" T3 UVC Lamp  |
| AS-IH-0610  | 62" T3 UVC Lamp  |
| VXP-120     | Vertical expansion post mounting kit -120" Max (at least 2 required) |
| 94-045      | 33" light shield   |
| 94-046      | 48" light shield   |
| 94-047      | 62" light shield   |
| 94-068      | magnet option (2 required per lamp)                                  |

| Part Number    | Enclosure Description   |
|----------------|---|
| UVMATRIX-LCI-2 | 2 lamp UVMatrix LCI enclosure. Includes electrical enclosure, 2 - 20 foot lamp leads, 4 T3MC lamp mounting brackets with metal spring clip. LAMPS NOT INCLUDED  |
| UVMATRIX-LCI-4 | 4 lamp UVMatrix LCI enclosure. Includes electrical enclosure, 4 - 20 foot lamp leads, 8 T3MC lamp mounting brackets with metal spring clip. LAMPS NOT INCLUDED  |
| UVMATRIX-LCI-6 | 6 lamp UVMatrix LCI enclosure. Includes electrical enclosure, 6 - 20 foot lamp leads, 12 T3MC lamp mounting brackets with metal spring clip. LAMPS NOT INCLUDED |
| -BIC option    | LED lamp monitoring includes dry contacts for connection to Building Intigration Contacts.  |
| -M             | Magnet mounting option included from the factory pre-installed on T3MC clips  |